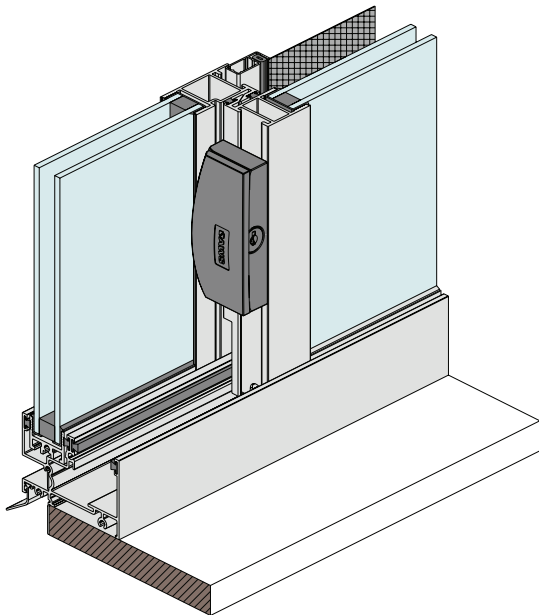
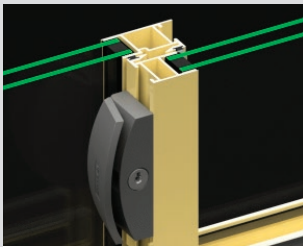


RESIDENTIAL SERIES | SERIES 752  
75MM SLIDING WINDOW

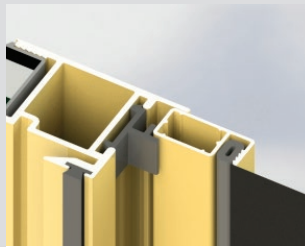


KEY FEATURES

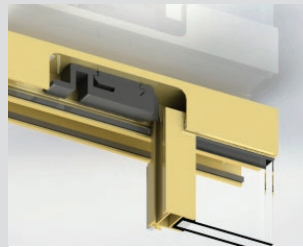
- This 75mm residential sliding window offers several unique features. Sliding sashes are nested within the frame, minimising visible aluminium and maximising views.
- By nesting sashes in the frame the thermal performance of the window can also be improved, less exposed aluminium for heat transfer between internal and external surfaces.
- A wide range of configuration options enable the window to be fabricated for high wind load areas.
- Series 752 sliding windows will accept glass up to 20mm IGU's allowing the selection of high-performance glazing options.
- Sliding sashes can be fitted with key mullion lock or push-button jamb lock.
- Flyscreens tuck into the head and sill, easily removed for cleaning or maintenance using the custom nylon clips.
- Sashes can be re-handed on site (slide direction reversed).
- Complies with restricted opening requirements for elevated applications.



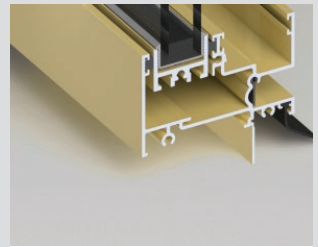
Centre mullion key locks or alternate jamb locks are available to ensure security and peace of mind



Flyscreens nest neatly into the frame and are secured with nylon clips for hassle free removal when cleaning or performing maintenance.



Removable buffer stops can be fitted in elevated applications to ensure compliance with NCC requirements for restricted openings.



Sliding sashes nest neatly into the frame, minimising visible aluminium and maximising your view. This also helps to improve the thermal performance of the window.

GENERAL

Max Panel Height\*  
1500mm

Max Panel Width\*  
1000mm

Max Glass Thickness  
20mm

Frame Depth  
75mm

ENERGY

UW Range  
2.9 – 3.9

SHGC Range

WEATHER

Maximum Water  
300Pa

ACOUSTICS

This product has not been acoustics tested. AWS anticipates this product's acoustic performance will be in-line with Series 504

