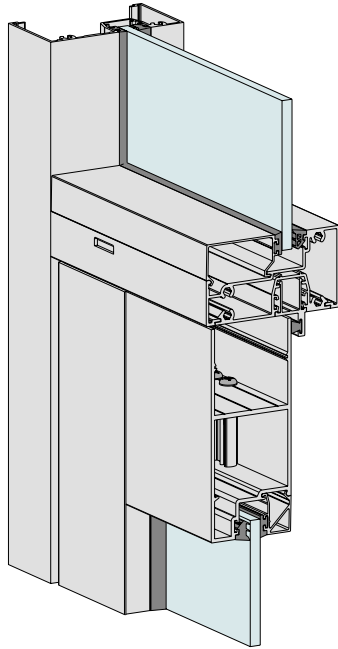
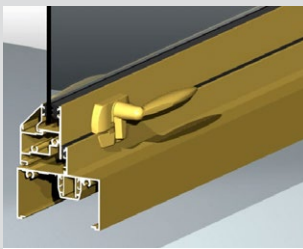


COMMERCIAL FRAMING | SERIES 80
 NARROW OFFSET 80mm FRAMING

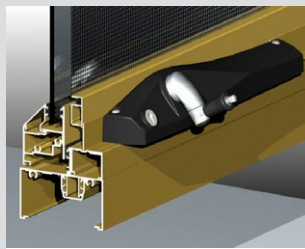


KEY FEATURES

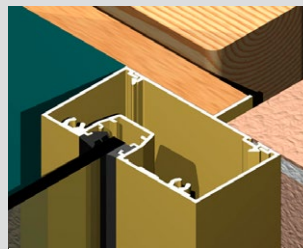
- Series 80 narrow shopfront framing is 80mm thick by 44mm wide with the glazing pocket offset, suitable for commercial framing that's not too high and ideal for internal partitioning.
- Truly captive glazing wedge feature. In elevated installations you can glaze and reglaze from one side. The captive wedge will resist vandalism in ground floor (arcade) installations.
- Series 80 has a deep glazing pocket.
- Sub-sill included as we always recommend sub-sills under commercial framing.
- Sub-head to allow for building settlement.
- Hinged door threshold.
- Nailing fin adaptor and a narrow frame for residential applications.
- Awning sash inlay adaptor.
- Adjustable wall trims to suit internal applications.



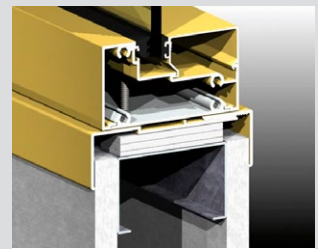
Awning sash inlay can be operated with cam handles as shown above or manual chain winders as shown on next illustration.



The chain winder we use comes standard with a stainless steel winder and a Polesium™ cover and base. These corrosion resisting features make the winder suitable for exposed locations.



Series 80 maintains the same glazing line as 400 series framing, with a variety of jamb options.



Series 80 framing is also extremely well suited for high quality internal partitioning. These adjustable trims will cater for a wall thickness variation from 84mm to 110mm.

GENERAL

Max Panel Height
 Various

Max Panel Width
 Various

Max Glass Thickness
 10.38mm

Frame Depth
 80mm

ENERGY

UW Range
 4.2 - 6.0

SHGC Range
 0.33 - 0.63

WEATHER

Maximum Water
 450 Pa

ACOUSTICS*

6.5mm VLam Hush™
 34 (0;-3)

10.50mm VLam Hush™
 37 (0;-3)

10.38mm Lam
 34 (-1;-2)

6.38mm Lam
 32 (-2;-3)



*Based on tests carried out on Series 400 - similar system.
 BAL-40 compliance may limit glass options. Maximum glass size for BAL-40 products is 5m².
elevatealuminium.com.au/80