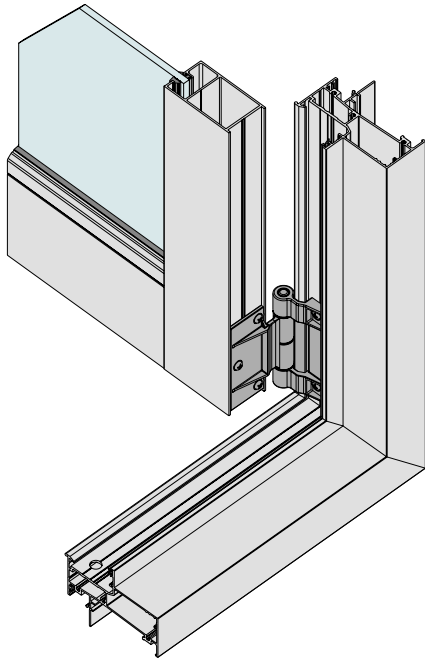
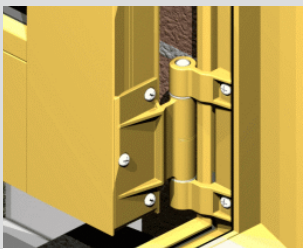


DESIGNER SERIES | SERIES 548H  
HIGH PERFORMANCE HINGED DOOR

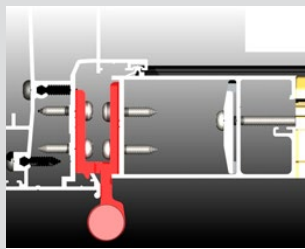


KEY FEATURES

- Vantage Series 548 external swing hinged door has been successfully tested to 300Pa water resistance and the internal swing door to 200Pa. These two water ratings would allow you to install these doors in exposed locations.
- Lowline sills available for high traffic areas.
- Extra wide top and bottom rails give the bold appearance of traditional timber designs.
- Specially designed backing plates at the four corner joints of the door to make sure that the door stays rigid and square.
- Rebated door stiles give a flush appearance when the two doors meet and provide superior weather protection. Unightly applied rebates are eliminated.
- Concealed lock keeper specially designed to fit in the cavity on the leading edge of the "lazy side" door and eliminates unsightly holes milled in the aluminium for latch and lock bolt.
- Doors can be supplied with standard or multi-point lever lock installed in the door stile or with a tulip knob lock placed in a door chair rail.



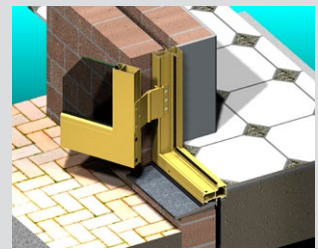
Heavy duty hinges: Custom light zinc die-cast or heavy duty extruded hinge nests into the frame and door stile. This significantly increases the hinge strength which is important when doors are large and/or heavy.



The heavy duty extruded aluminium hinge nests into the frame recess. We offer a large range of standard and special powder coat colours to match the main frame.



Optional 316 marine grade stainless steel ICON™ lever lock furniture available. We offer 3 different design options for lever lock sets.



Fitting custom parliament hinges to French doors (80mm frame) allows panels to be opened back 180° to the wall lining when positioned correctly in building.

GENERAL

Max Panel Height\*  
2350mm

Max Panel Width\*  
900mm

Max Glass Thickness  
20mm

Frame Depth  
102mm

ENERGY

UW Range  
3.4-6.0

SHGC Range  
0.25-0.59

WEATHER

Maximum Water  
300 Pa. (open-out)  
200 Pa. (open-in)

ACOUSTICS

6.38mm Laminated Glass  
Rw 32

19-20mm IGU (5-Air-5)  
Rw 33



\*Dimensions subject to individual site conditions.  
BAL-40 compliance may limit glass options. Maximum glass size for BAL-40 products is 5m².  
vantagealuminium.com.au/548h