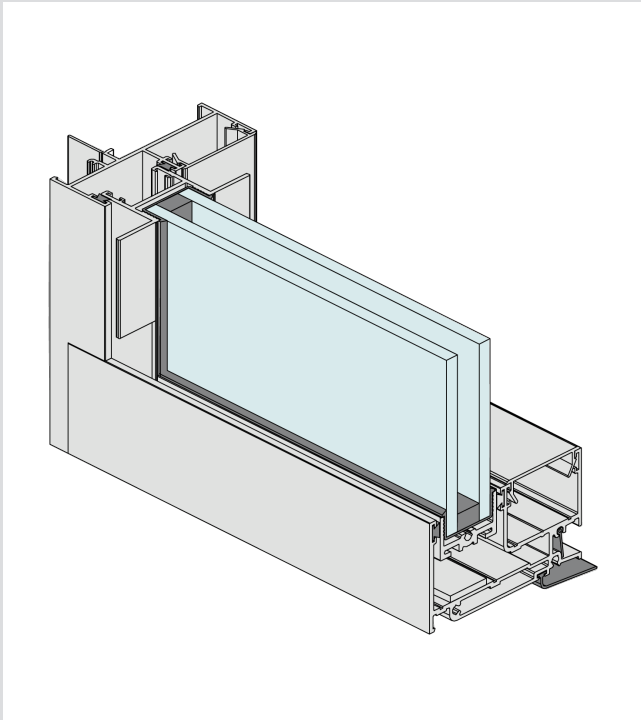


RESIDENTIAL SERIES HIGH PERFORMANCE | SERIES 758  
SLIDING DOOR

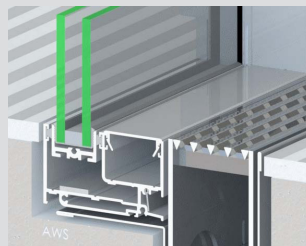


KEY FEATURES

- Series 758 High Performance Sliding Door is a residential door system designed to maximise sightlines by reducing the exposed aluminium frame.
- Option to have the rails and stiles concealed within the perimeter frame, providing a panoramic feel.
- Available as both single and double glazed systems, the 758 will accept 22mm and 24mm IGUs with a maximum panel weight of 320kg and single glazed panels 5mm to 10mm.
- Large sliding doors can be designed for high wind load areas and are available in extensive configurations with large spans.
- Designed exclusively to accept Vantage® Security Screens and BRIO pleated screens.
- Compatible with Centor S2 and S4 Screens.
- Sub head Sub Sill compatible.



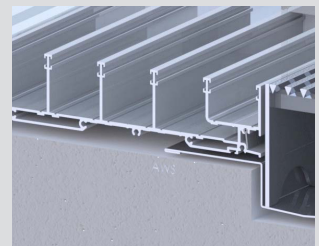
Custom lock that is fitted to the interlock stile, provides a modern sleek and practical locking solution. This means no large intrusive lock impeding on your visual outlook



A custom stainless steel, flat running track combined with custom stainless steel rollers with leading track brush to ensure track delivers optimal, long term operating performance.



Compatible with FlowTHRU Pro™ integrated aluminium drain system. Which are thoroughly tested for use with select Vantage® ComfortEDGE™ and High Performance doors.



Up to 5 track sill configurations are available to suit extra wide openings up to 19m wide.

**GENERAL**  
**Max Frame Height\***  
 3000mm  


---

**Max Panel Width\***  
 2000mm  


---

**Max Glass Thickness**  
 24mm  


---

**Frame Depth**  
 84mm - 208mm  


---

 Panel weights of up to 320kg

**ENERGY**  
**UW Range**  
 2.0 - 3.6  


---

**SHGC Range**  
 0.24-0.69

**WEATHER**  
**Maximum Water**  
 400 Pa.  


---

 Up to 600Pa with sub sill  


---

 Up to 550 Pa with an integrated drain

**ACOUSTICS**  
 6.38mm Lam  
 32 (0; -2)  


---

 6.5mm Lam  
 33 (1;-2)



\*Dimensions subject to individual site conditions.